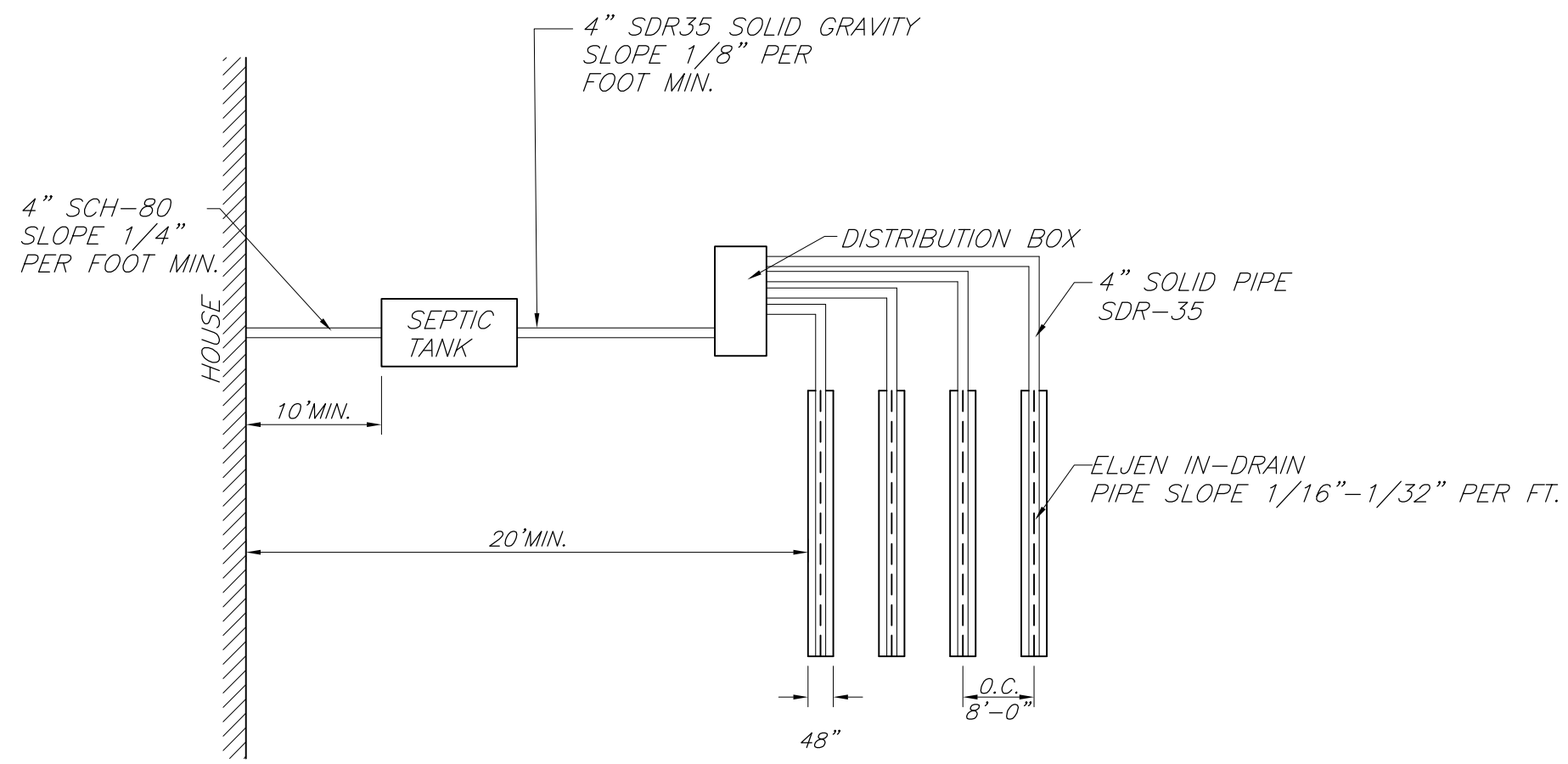


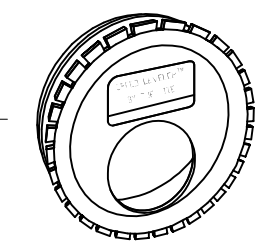
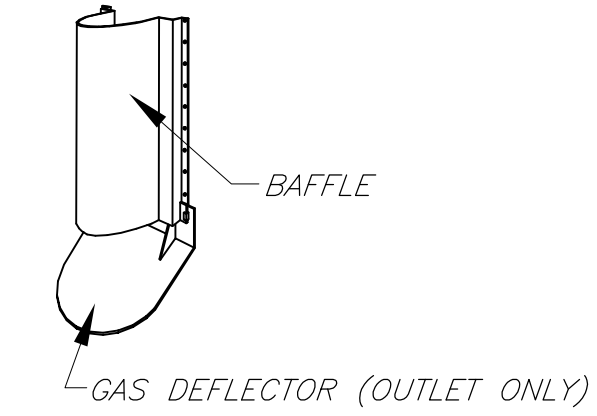
WOODARD'S 1250gal. SEPTIC TANK OR EQUAL
N.T.S.

SPECIFICATIONS

CONCRETE MINIMUM STRENGTH- 4,000 PSI AT 28 DAYS
 REINFORCEMENT- 6"x6"10GA. WWF, #4 REBAR
 AIR ENTRAPMENT- 5%
 CONSTRUCTION JOINT- BUTYL RUBBER - BASE CEMENT
 PIPE CONNECTION- POLYLOC SEAL (PATENTED)
 LOAD RATING- 300PSF WEIGHT = 9,500LBS

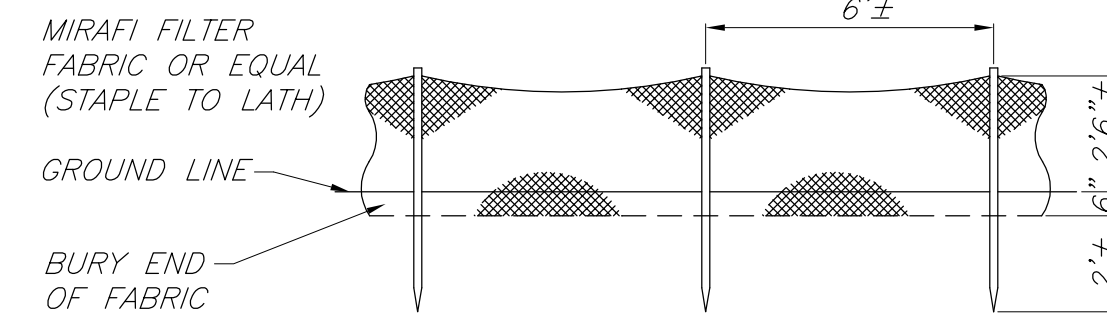


TYPICAL PLAN VIEW
N.T.S.



1. INSERT A SPEED LEVELER IN THE END OF ALL OUTLET PIPES IN THE DROPBOX.
2. ROTATE UNTIL EFFLUENT ENTERS ALL OUTLETS EQUALLY.

NOTE:
 SILT FENCE IS TO BE INSTALLED PRIOR TO ANY CONSTRUCTION AND SHALL BE CHECKED AFTER EVERY RAIN STORM. SILT FENCES ARE TO BE REPLACED AS NECESSARY DUE TO DAMAGE OR WHEN FILLED WITH SILT. SILT TO BE REMOVED IN FRONT OF FENCES REGULARLY TO PREVENT EXCESSIVE SOIL BEARING WEIGHT ON THE FENCES AND FENCE POSTS.



SILT FENCE DETAIL
N.T.S.

IT SHALL BE THE RESPONSIBILITY OF THE CONTRACTOR TO PROVIDE AND INITIALIZE EROSION CONTROL MEASURES. SILT FENCING IS TO BE USED FOR SILTATION CONTROL AROUND ALL AREAS THAT WILL BE DISRUPTED DURING CONSTRUCTION. SILT FENCING IS TO BE MAINTAINED TO THE SATISFACTION OF THE ENGINEER AND WILL BE REMOVED BY THE CONTRACTOR ONCE GROUND COVER IS REESTABLISHED.

STANDARD NOTES:

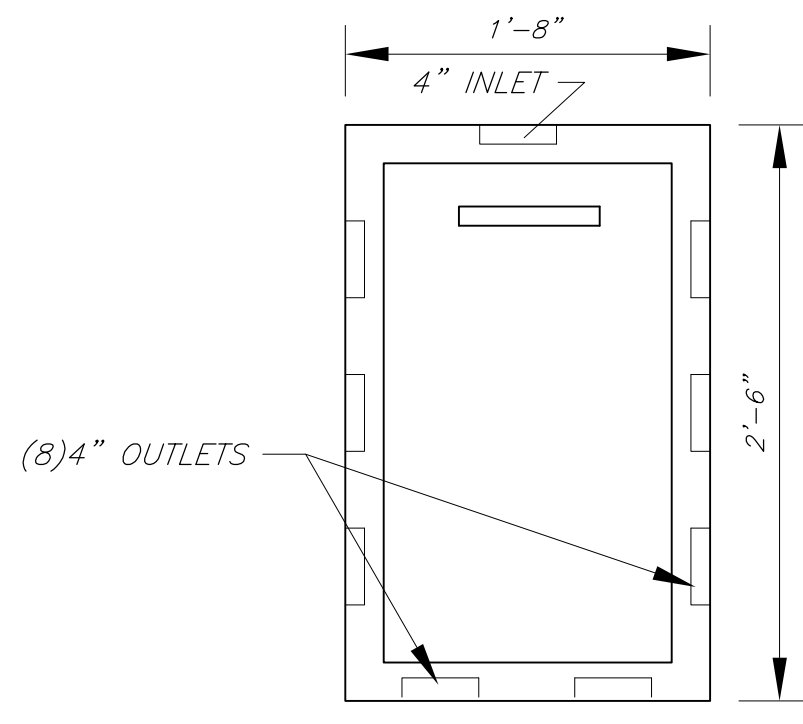
THE DESIGN, CONSTRUCTION AND INSTALLATION SHALL BE IN ACCORDANCE WITH THIS PLAN AND GENERALLY ACCEPTED STANDARDS IN EFFECT AT THE TIME OF CONSTRUCTION WHICH INCLUDE:

- "APPENDIX 75-A, WASTE TREATMENT - INDIVIDUAL HOUSEHOLD SYSTEMS, NEW YORK STATE SANITARY CODE."
- "WASTE TREATMENT HANDBOOK, INDIVIDUAL HOUSEHOLD SYSTEMS, NEW YORK STATE DEPARTMENT OF HEALTH."
- "PLANNING THE SUBDIVISION AS PART OF THE TOTAL ENVIRONMENT, NEW YORK STATE DEPARTMENT OF HEALTH."

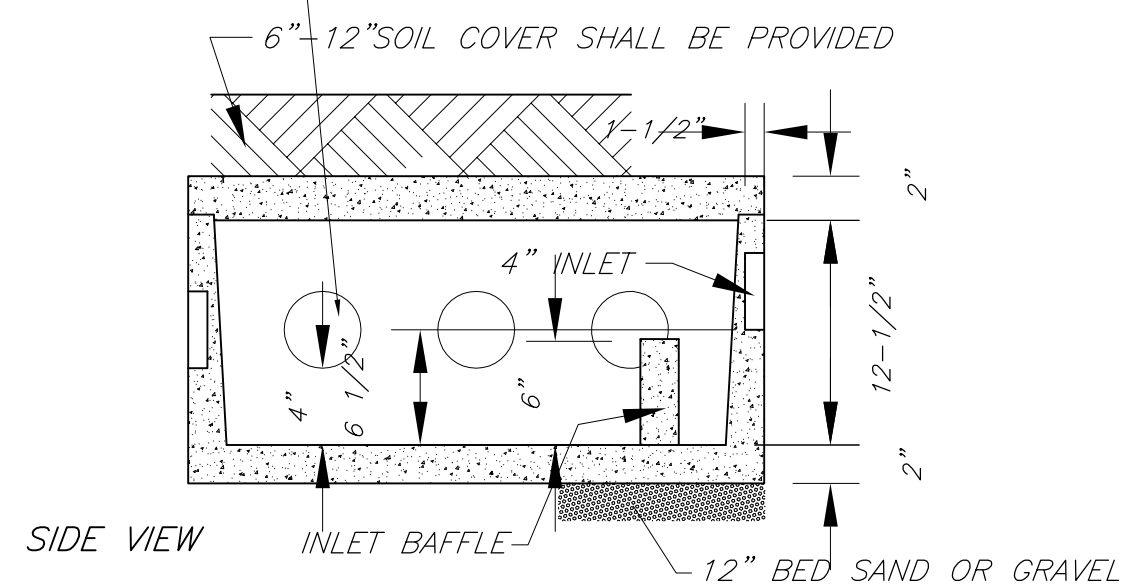
"THIS PLAN IS APPROVED AS MEETING THE APPROPRIATE AND APPLIED TECHNICAL STANDARDS, GUIDELINES, POLICIES AND PROCEDURES FOR ARRANGEMENT OF SEWAGE DISPOSAL AND TREATMENT AND WATER SUPPLY FACILITIES."

ALL WELLS AND S.D.S. EXISTING OR APPROVED WITHIN 200' OF THE PROPOSED WELLS AND S.D.S. ARE SHOWN ON THIS PLAN ALONG WITH ANY OTHER ENVIRONMENTAL HAZARDS IN THE AREA THAT MAY AFFECT THE DESIGN AND FUNCTIONAL ABILITY OF THE S.D.S. AND WELL. IT SHALL BE DEMONSTRATED BY THE CONTRACTOR TO THE CERTIFYING ENGINEER THAT THE SEPTIC TANK IS SEALED, WATER TIGHT AND ACCEPTABLE FOR USE. THIS SHALL REQUIRE, AS A MINIMUM, THE FILLING OF THE TANK WITH WATER TO OBSERVE IF IT IS IN FACT SEALED, WATERTIGHT AND ACCEPTABLE FOR USE.

ALL PROPOSED WELLS AND SERVICE LINES ON THIS PLAN ARE ACCESSIBLE FOR INSTALLATION AND PLACEMENT.
 TRENCH BOTTOMS TO BE SET LEVEL AND PARALLEL TO EXISTING CONTOURS.
 MAXIMUM DEPTH OF USABLE FILL PLUS 6" OF TOPSOIL SHALL NOT EXCEED 30".



TOP VIEW

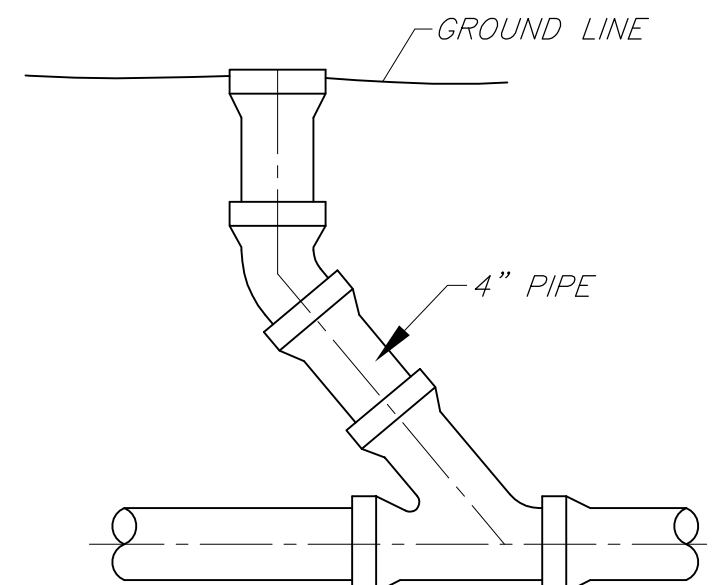


SIDE VIEW

WOODARD'S PRECAST 8 OUTLET DISTRIBUTION BOX
N.T.S.

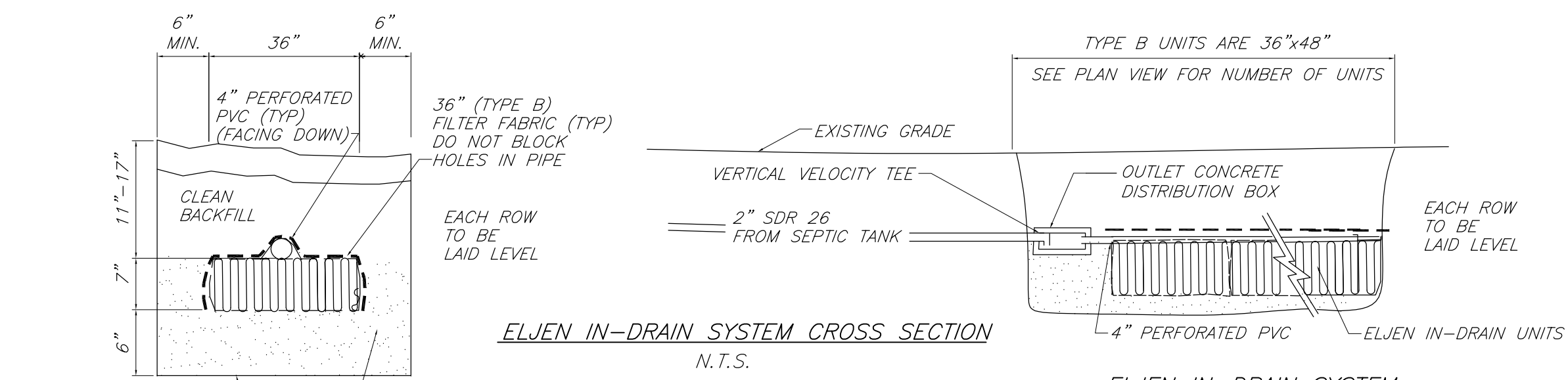
SPECIFICATIONS

CONCRETE MINIMUM STRENGTH- 4,000 PSI AT 28 DAYS
 REINFORCEMENT- FIBER
 AIR ENTRAPMENT- 5%
 PIPE CONNECTION: POLYLOC SEAL (PATENTED)
 LOAD RATING- 300 PSF WEIGHT= 290 lbs



CLEANOUT DETAIL
N.T.S.

TO BE INSTALLED BEFORE BEND AT ALL BEND LOCATIONS AND AT EVERY 75' OF STRAIGHT PIPE. (DO NOT USED WITH PUMP CHAMBER)



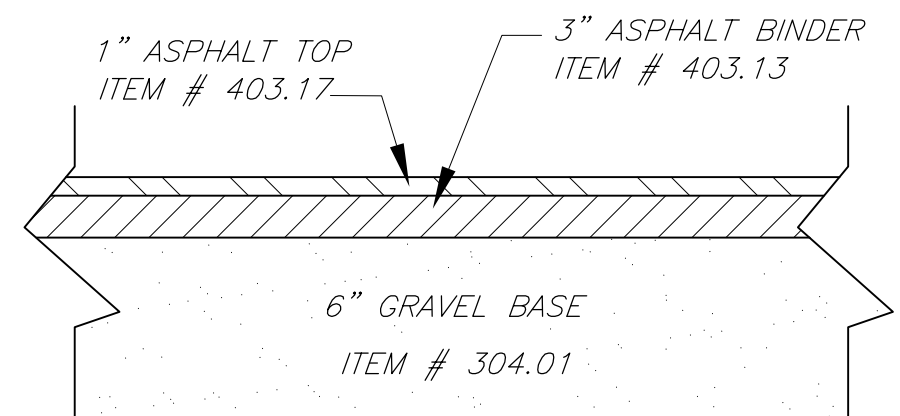
ELJEN IN-DRAIN SYSTEM CROSS SECTION
N.T.S.

ELJEN IN-DRAIN SYSTEM
N.T.S.

INSTALLER SHALL INSTALL A 6" LAYER ASTM C33 SAND WITH LESS THAN 10% PASSING #100 SIEVE AND LESS THAN 5% PASSING #200 SIEVE. LISTED BELOW IS A CHART OUTLINING THE SIEVE REQUIREMENT FOR THE SPECIFIED SAND AS REQUIRED BY ELJEN.

ASTM C33 SAND SPECIFICATION

SIEVE SIZE	SIEVE SQUARE OPENING SIZE	SPECIFICATION PERCENT PASSING (WET SIEVE)
0.375"	9.5mm	100.0-100.0
#4	4.75mm	95.0-100.0
#8	2.36mm	80.0-100.0
#16	1.18mm	50.0-85.0
#30	600um	25.0-60.0
#50	300um	5.0-30.0
#100	150um	<10.0
#200	75um	<5.0



DRIVEWAY PAVEMENT SECTION DETAIL
N.T.S.

TOWN PROJECT # 18-9
 THIS SHEET IS INVALID AND VOID UNLESS ACCOMPANIED BY REMAINING SHEETS IN SET.

ENGINEER	TALCOTT ENGINEERING DESIGN PLLC		
	1 GARDINERTOWN ROAD NEWBURGH, NY 12550 (845)-569-8400 (FAX)(845)-569-4583 TALCOTTDESIGN12@GMAIL.COM		

**PROPOSED SUBDIVISION ENTITLED
 NOTO SUBDIVISION**
 194 HIGHLAND AVE, SBL: 108.12-8-24
 TOWN OF MARLBOROUGH, ULSTER COUNTY, NY

REVISIONS

REV.:	DATE:	BY:	DESCRIPTION:
1	07/08/19	RBM	PER TOWN COMMENTS

DATE	SCALE	JOB NUMBER	SHEET NUMBER
07/01/19	AS NOTED	17257-NTO	2 OF 3