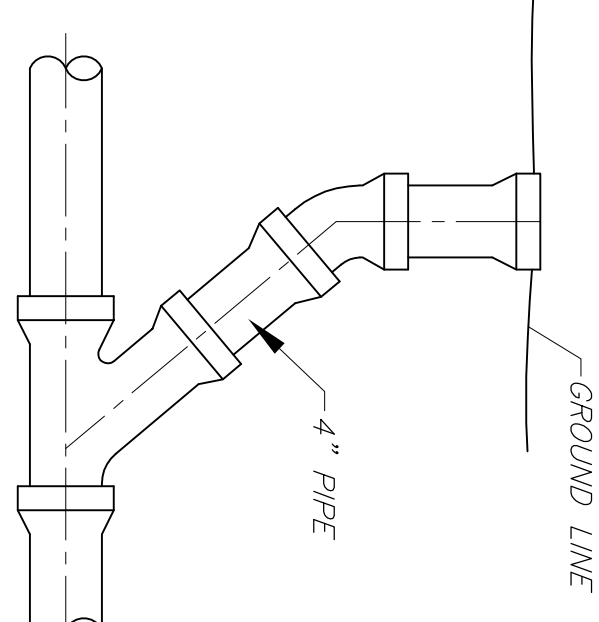
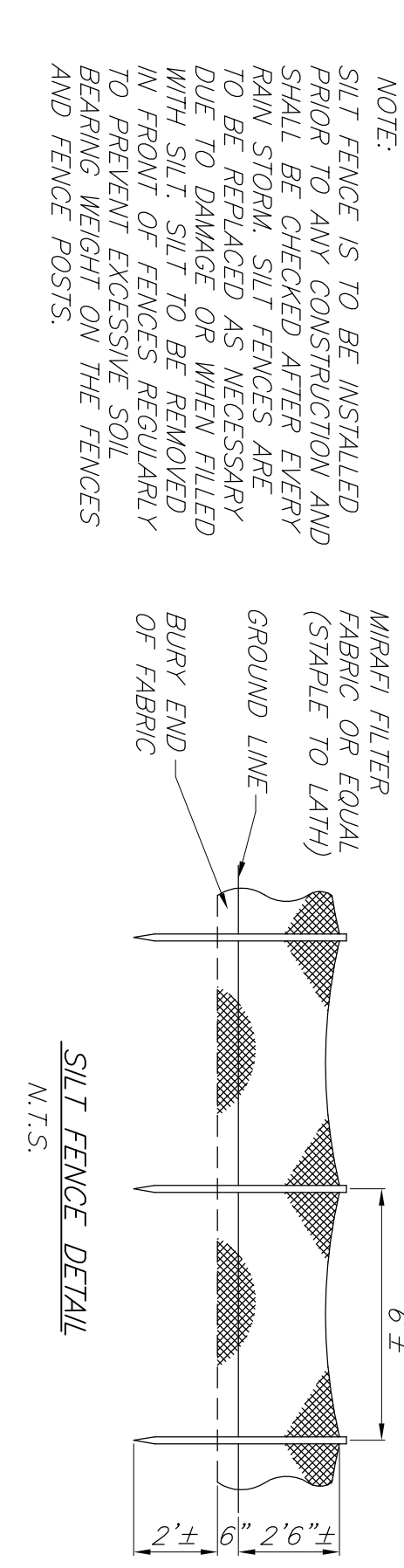
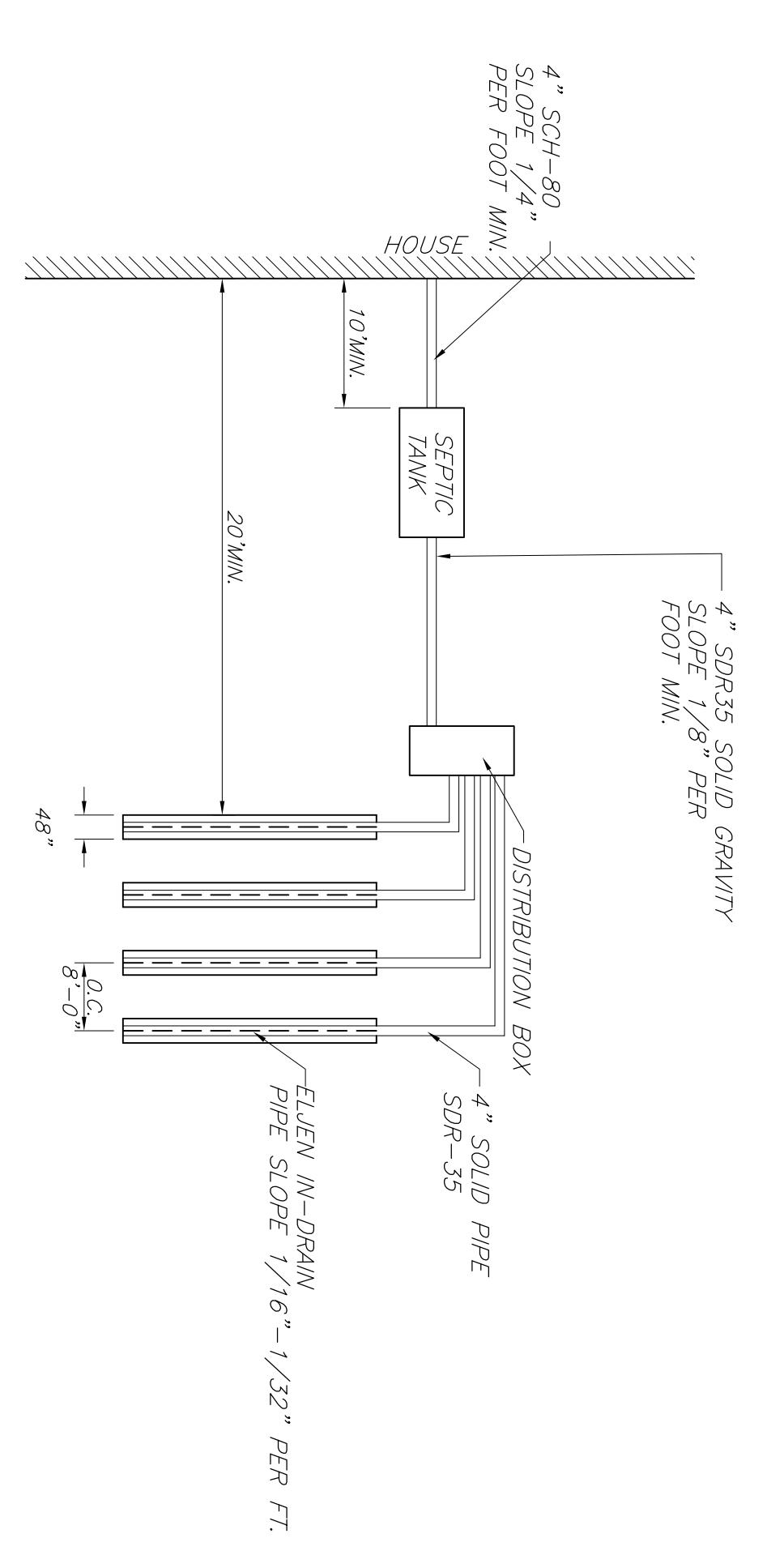


SPECIFICATIONS
 CONCRETE MINIMUM STRENGTH— 4,000 PSI AT 28 DAYS
 REINFORCEMENT— FIBER
 AIR ENTRAINMENT— 5%
 PIPE CONNECTION— POLYLOC SEAL (PATENTED)
 LOAD RATING— 300 PSF WEIGHT= 290 LBS

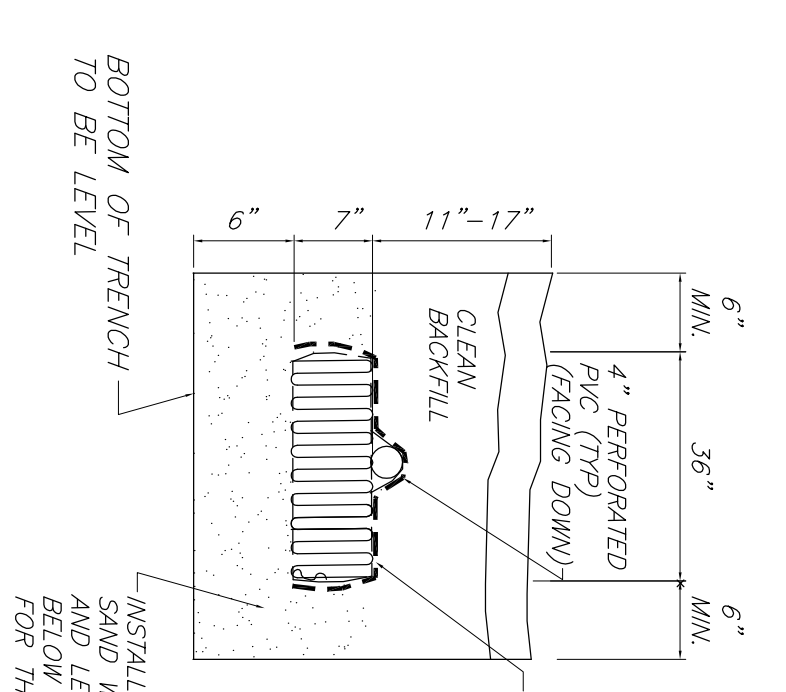


CLEANOUT DETAIL
 N.I.T.S.
 TO BE INSTALLED BEFORE BEND AT ALL
 BEND LOCATIONS AND AT EVERY 75' OF
 STRAIGHT PIPE. (DO NOT USED WITH PUMP CHAMBER)

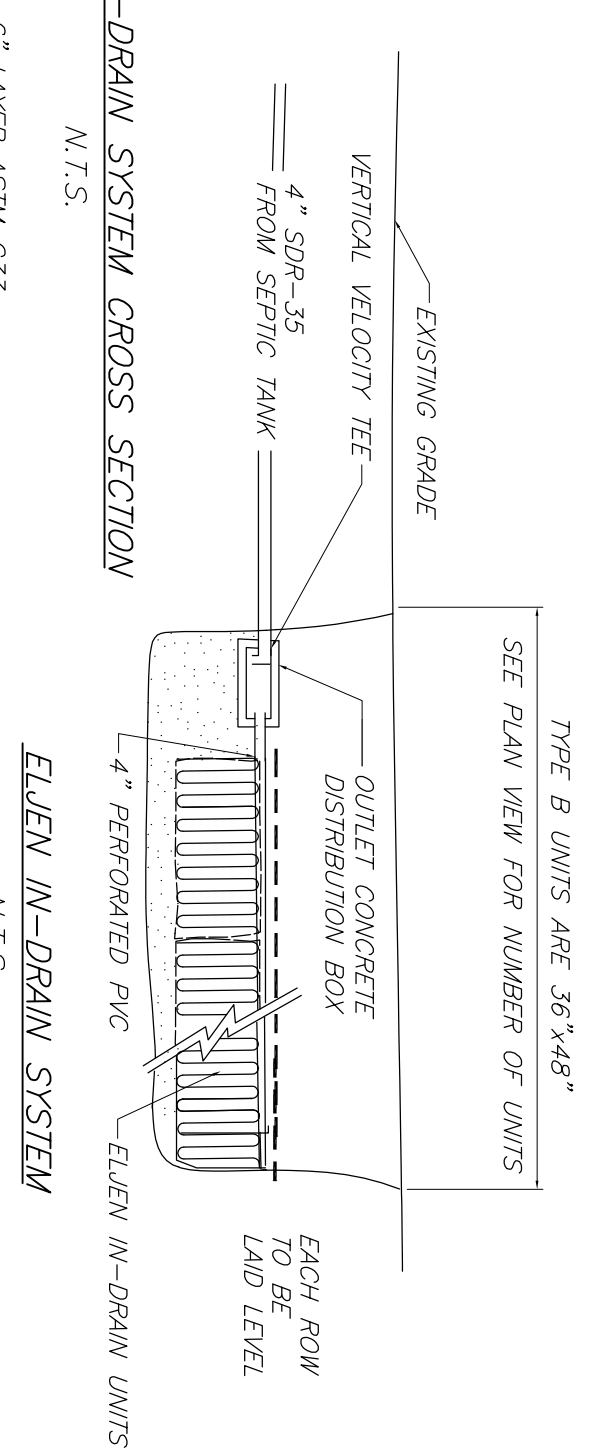


NOTE:
 SILT FENCE IS TO BE INSTALLED
 PRIOR TO ANY CONSTRUCTION AND
 SHALL BE CHECKED AFTER EVERY
 RAIN STORM. SILT FENCES ARE
 TO BE REPLACED AS NECESSARY
 TO BE MAINTAINED TO BE KEPT
 WITH SILT FENCE TO BE REMOVED
 IN FRONT OF EXCESSIVE SOIL
 TO PREVENT EXCESSIVE SOIL
 BEARING WEIGHT ON THE FENCES
 AND FENCE POSTS.

IT SHALL BE THE RESPONSIBILITY OF THE CONTRACTOR TO PROVIDE AND
 INITIALIZE EROSION CONTROL MEASURES. SILT FENCING IS TO BE USED FOR
 SILTATION CONTROL AROUND ALL AREAS THAT WILL BE DISRUPTED DURING
 CONSTRUCTION. SILT FENCING IS TO BE MAINTAINED TO THE SATISFACTION
 OF THE ENGINEER AND WILL BE REMOVED BY THE CONTRACTOR ONCE GROUND
 COVER IS REESTABLISHED.



ELVEN IN-DRAIN SYSTEM CROSS SECTION
 N.I.T.S.
 INSTALLER SHALL INSTALL A 6" LAYER ASTM C33
 SAND WITH LESS THAN 10% PASSING #100 SIEVE
 AND LESS THAN 5% PASSING #200 SIEVE LISTED
 FROM THE SPECIFIED SAND AS REQUIRED BY ELVEN.



SIEVE SIZE	SIEVE SQUARE OPENING SIZE	SPECIFICATION PERCENT PASSING (WET SIEVE)
0.375"	9.5mm	100.0 - 100.0
#4	4.75mm	95.0 - 100.0
#8	2.36mm	80.0 - 100.0
#16	1.18mm	60.0 - 80.0
#30	600um	25.0 - 60.0
#50	300um	5.0 - 30.0
#100	150um	< 10.0
#200	75um	< 3.0

SEPTIC SYSTEM GENERAL NOTES:

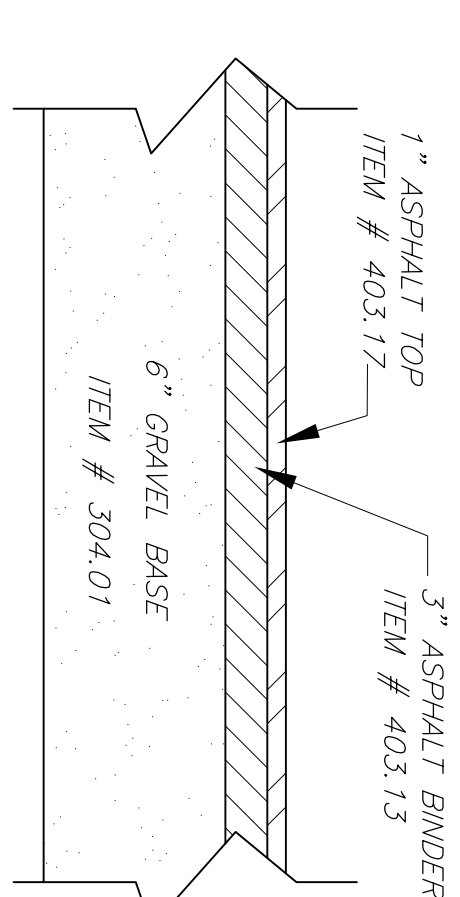
- ALL PORTIONS OF THE SEPTIC FIELD WILL BE A MINIMUM DISTANCE OF 200 FEET UP SLOPE AND 100 FEET DOWN SLOPE FROM ANY WELL.
- SEPTIC TANK TO BE LOCATED A MINIMUM DISTANCE OF 10 FEET FROM ANY BUILDING OR PROPERTY LINE AND 50 FEET FROM ANY WELL.
- NO SWIMMING POOLS, DRIVEWAYS, OR STRUCTURES THAT MAY COMPACT THE SOIL SHALL BE CONSTRUCTED OVER ANY PORTION OF THE ABSORPTION FIELD.
- NO TRENCHES TO BE INSTALLED IN WET SOIL.
- RAKE SIDES AND BOTTOM OF TRENCH PRIOR TO PLACING GRAVEL IN ABSORPTION TRENCH.
- GROUT ALL PIPE PENETRATIONS TO CONC. SEPTIC TANK & DISTRIBUTION BOX.
- DISTRIBUTION LINES ARE TO BE CAPPED.
- THE PERIMETER OF THE ABSORPTION FIELD SHOULD BE GRADED TO DIVERT SURFACE WATER AWAY FROM THE FIELD.
- CONSTRUCTION COMPLETION USING GRASS SEED & MULCH.
- NO SEWAGE SYSTEM SHALL BE PLACED WITHIN 100' OF ANY WATER COURSE OR 35' DRAINAGE DITCH.
- ALL LAUNDRY AND KITCHEN WASTES SHALL BE DISCHARGED INTO SEWAGE SYSTEM.
- BREDS SHALL BE USED WHEN ENTRANCE OR EXIT FROM SEPTIC TANK IS THROUGH AN UNDESIRABLE POINT. THIS IS NOT ENOUGH AS REQUIRED THAN ENTRANCE OR EXIT POINTS. THIS IS NOT ENOUGH AS REQUIRED.
- THE DESIGN AND LOCATION OF THE SANITARY FACILITIES SHALL NOT BE CHANGED WITHOUT RESUBMISSION FOR APPROVAL.
- HEAVY EQUIPMENT SHALL BE KEPT OFF THE AREA OF THE ABSORPTION FIELDS EXCEPT DURING THE ACTUAL CONSTRUCTION. THERE SHALL BE NO UNNECESSARY MOVEMENT OF CONSTRUCTION EQUIPMENT IN THE ABSORPTION FIELD AREA BEFORE, DURING, OR AFTER CONSTRUCTION.
- THIS SYSTEM WAS NOT DESIGNED TO ACCOMMODATE GARAGE GRINDERS, JACOZZI TYPE SPA TUBS OVER 100 GALLONS, OR WATER CONDITIONERS. AS SUCH, THESE ITEMS SHALL NOT BE INSTALLED UNLESS THE SYSTEM IS REDESIGNED TO ACCOMMODATE THEM.
- THERE MUST BE AN UNINTERRUPTED POSITIVE SLOPE FROM THE SEPTIC TANK (OR ANY DRAINING OR DRESSING CHAMBER) TO THE HOUSE, ALLOWING SEWAGE TO FLOW TO THE SEPTIC TANK.
- THE PURCHASER OF THIS LOT SHALL BE PROVIDED WITH A COPY OF THE APPROVED PLANS AND AN ACCURATE AS-BUILT DRAWING OF ANY EXISTING SANITARY FACILITIES.
- THE DESIGN ENGINEER WILL BE REQUIRED TO CERTIFY THE COMPLETED DISPOSAL FACILITY.

STANDARD NOTES:

THE DESIGN, CONSTRUCTION AND INSTALLATION SHALL BE IN ACCORDANCE WITH THIS PLAN AND GENERALLY ACCEPTED STANDARDS IN EFFECT AT THE TIME OF CONSTRUCTION WHICH INCLUDE:
 "APPENDIX 78-4. WASTE TREATMENT - INDIVIDUAL HOUSEHOLD SYSTEMS, RESIDENTIAL ON-SITE WASTEWATER TREATMENT SYSTEM DESIGN HANDBOOK 2012, NEW YORK STATE DEPARTMENT OF HEALTH."
 "PLANNING THE SUBDIVISION AS PART OF THE TOTAL ENVIRONMENT, NEW YORK STATE DEPARTMENT OF HEALTH."

"THIS PLAN IS APPROVED AS MEETING THE APPROPRIATE AND APPLIED TECHNICAL STANDARDS, GUIDELINES, POLICIES AND PROCEDURES FOR ARRANGEMENT OF SEWAGE DISPOSAL AND TREATMENT AND WATER SUPPLY FACILITIES."

ALL WELLS AND S.D.S. EXISTING OR APPROVED WITHIN 200' OF THE PROPOSED WELLS AND S.D.S. SHALL BE SHOWN ON THE PLAN AND FIELD SURVEY. THE CONTRACTOR SHALL BE RESPONSIBLE FOR VERIFYING THE LOCATION AND DEPTH OF ALL WELLS AND S.D.S. THAT MAY AFFECT THE DESIGN AND FUNCTIONAL ABILITY OF THE S.D.S. AND WELL. IT SHALL BE DEMONSTRATED BY THE CONTRACTOR TO THE CERTIFYING ENGINEER THAT THE SEPTIC TANK IS SEALED, WATER TIGHT AND ACCEPTABLE FOR USE. THIS SHALL REQUIRE AS A MINIMUM, THE FILLING OF THE TANK WITH WATER TO OBSERVE IF IT IS IN FACT SEALED, WATER TIGHT AND ACCEPTABLE FOR USE. ALL PROPOSED WELLS AND SERVICE LINES ON THIS PLAN ARE ACCESSIBLE FOR INSTALLATION AND PLACEMENT. TRENCH BOTTOMS TO BE SET LEVEL AND PARALLEL TO EXISTING CONTOURS. MAXIMUM DEPTH OF USABLE FILL PLUS 6" OF TOP-SOIL SHALL NOT EXCEED 30".



DRIVEWAY PAVEMENT SECTION DETAIL
 N.I.T.S.

REV.	DATE	BY	DESCRIPTION
1	07/08/19	RBM	PER TOWN COMMENTS
2	08/28/19	RBM	PER TOWN COMMENTS

ENGINEER	TALCOTT ENGINEERING DESIGN PLLC
DATE	07/01/19
SCALE	AS NOTED
DRAWN BY	CHARLES T. BROWN, P.E.

TOWN PROJECT #	18-9
PROPOSED SUBDIVISION ENTITLED	NOTO SUBDIVISION
194 HIGHLAND AVE, SPT. 108.12-8-24	
TOWN OF MARLBOROUGH, ULSTER COUNTY, NY	
TALCOTTDESIGN12@GMAIL.COM	