

Received and approved 9/15/2020
for the Ulster County Health Department

COPY

By Carol M. Smith to MPH 9/15/20
Public Health Director

Carol M. Smith, MD, MPH
Commissioner of Health

Recommended for Approval

[Signature]
Terry Ross, P.E.

SEPTIC SYSTEM PLANS

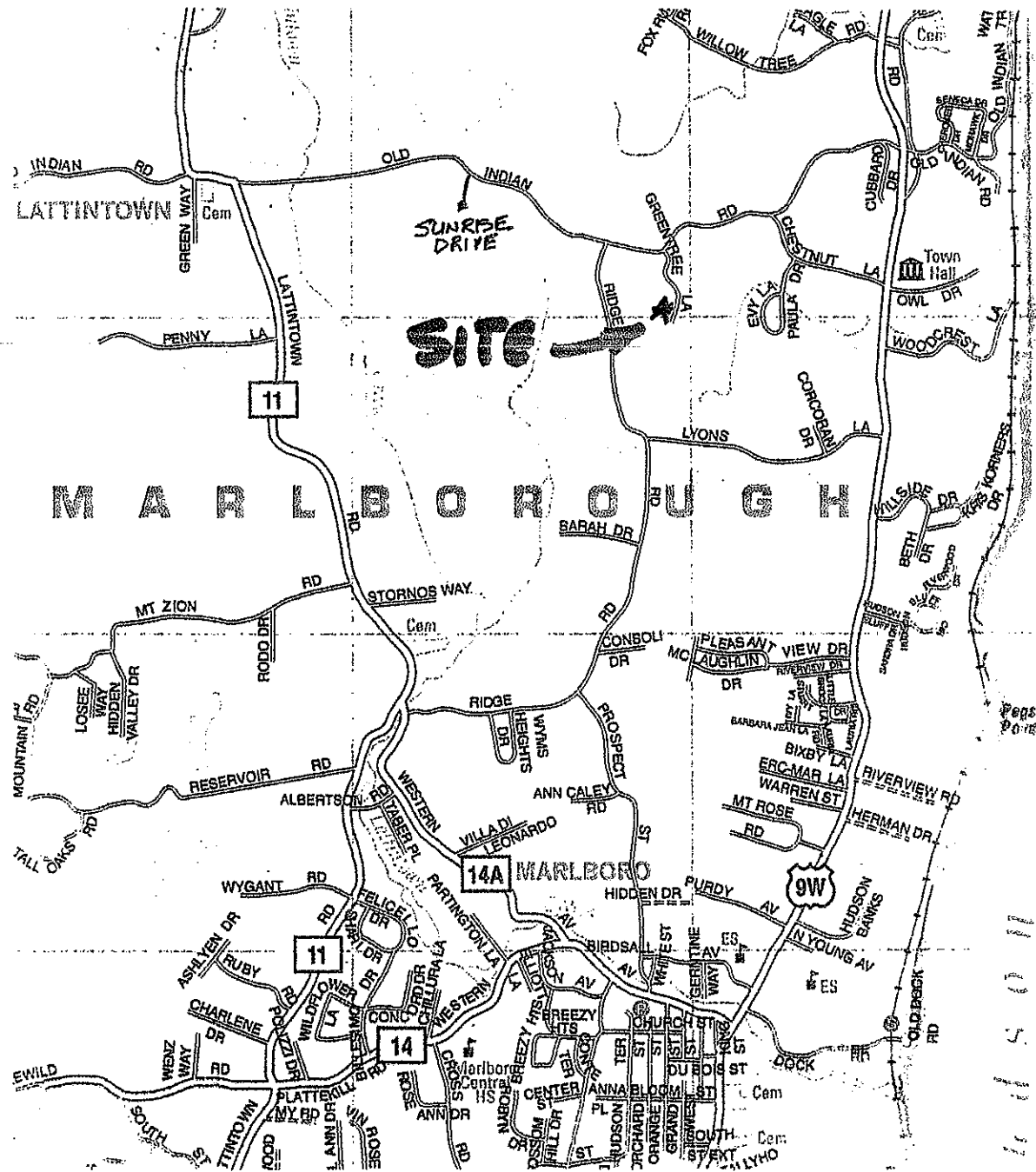
FOR

ALDEN & CAROL LINK

36 GREENTREE LANE
MILTON, NEW YORK

102.4-2-15.113
TOWN OF MARLBOROUGH

ULSTER COUNTY



LOCATION PLAN
SCALE 1" = 3000'

COPY



DATE 8/28/2020		1
REVISIONS	REVISIONS	LOCATION
LOUIS S. DUBOIS, P.E. 116 VINEYARD AVENUE HIGHLAND, NEW YORK (845) 691-2241 OFFICE (845) 691-6515 FAX (845) 224-1102 CELL lsd@duboisoptimum.net	SCALE AS SPECIFIED	
	DRAWN BY LSD	
	APPROVED LSD	
PROPOSED SEPTIC SYSTEM CAROL & ALDEN LINK LIVING TRUST 36 GREEN TREE LANE MILTON, NEW YORK TOWN OF MARLBOROUGH 102.4-2-15.113		

PERCOLATION TEST RESULTS

8/26/20

HOLE	DEPTH	SOIL TYPE	SOAKED	TEST RESULT
PH 1	24"	ORGANIC LOAM	YES	STAB @ 22 MIN
PH 2	24"	GRAVEL CLAY LOAM	YES	STAB @ 14 MIN

DEEP HOLE ANALYSIS

8/24/20

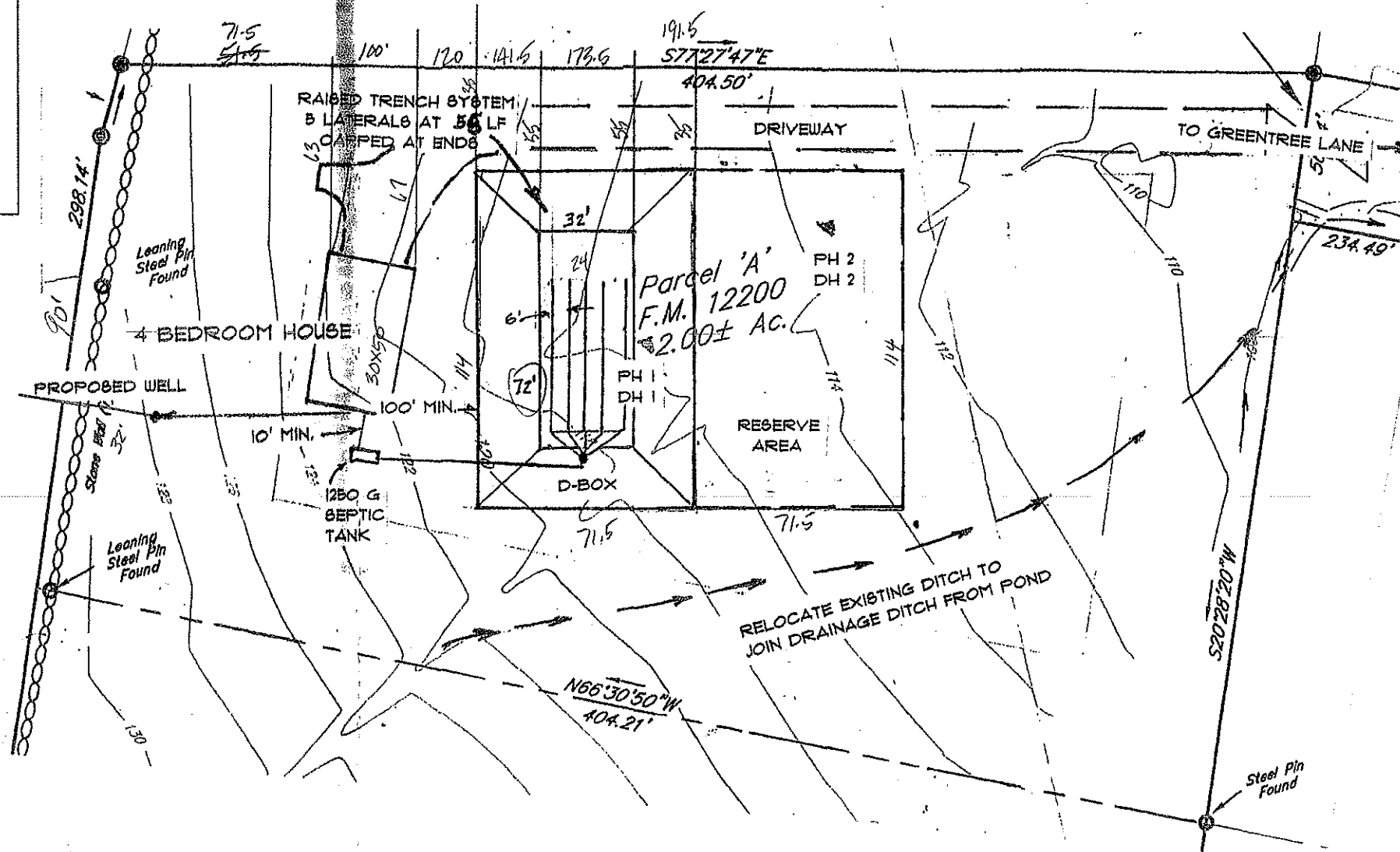
DH 1	32" DARK ORGANIC LOAM 32" TO 33" MOTTLED CLAY	NO BEDROCK WATER 33" MOTTLING AT 32"
DH 2	9" TOPSOIL 9" TO 22" GRAVELLY CLAY LOAM 22" TO 42" MOTTLED CLAY	NO BEDROCK NO WATER MOTTLING AT 22"

AN ENGINEER'S CONSTRUCTION CERTIFICATE IS TO BE SUBMITTED TO THE ULSTER COUNTY HEALTH DEPARTMENT PRIOR TO FINAL CONSTRUCTION APPROVAL

THERE ARE NO EXISTING WELLS WITHIN 100' OF THE PROPOSED SEPTIC FIELD. THERE ARE NO EXISTING SEPTIC FIELDS WITHIN 100' OF THE PROPOSED WELL.

BASED UPON THE SOIL INFORMATION, A RAISED TRENCH SYSTEM IS DESIGNED BASED UPON AN APPLICATION RATE OF 0.80 GALLON PER DAY PER SQ. FOOT

THE RESERVE SYSTEM SHALL BE THE SAME DESIGN AS THE PRIMARY, WITH 5 LATERALS @ 55 LF



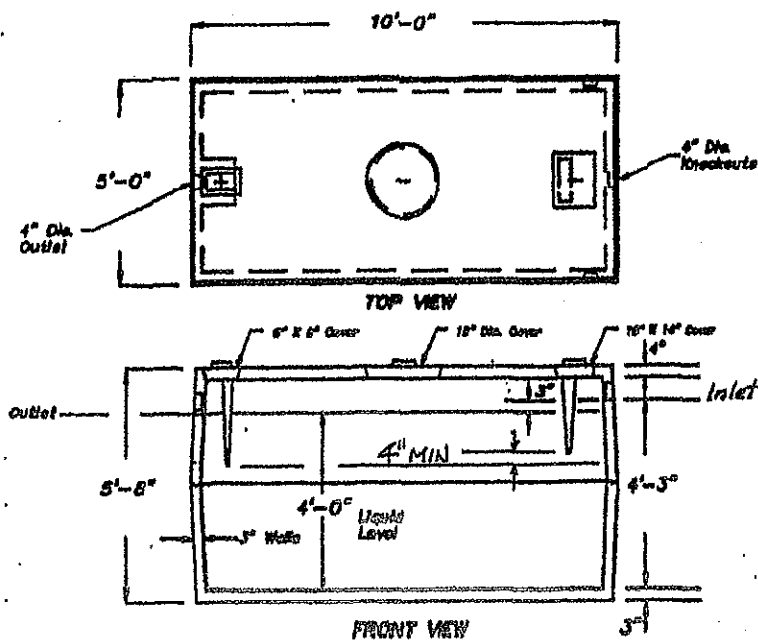
BASAL AREA = 440/0.2 = 2200 SF
DIMENSIONS SHOWN ARE 32'x72' = 2304 SF

SITE PLAN
SCALE 1" = 50'

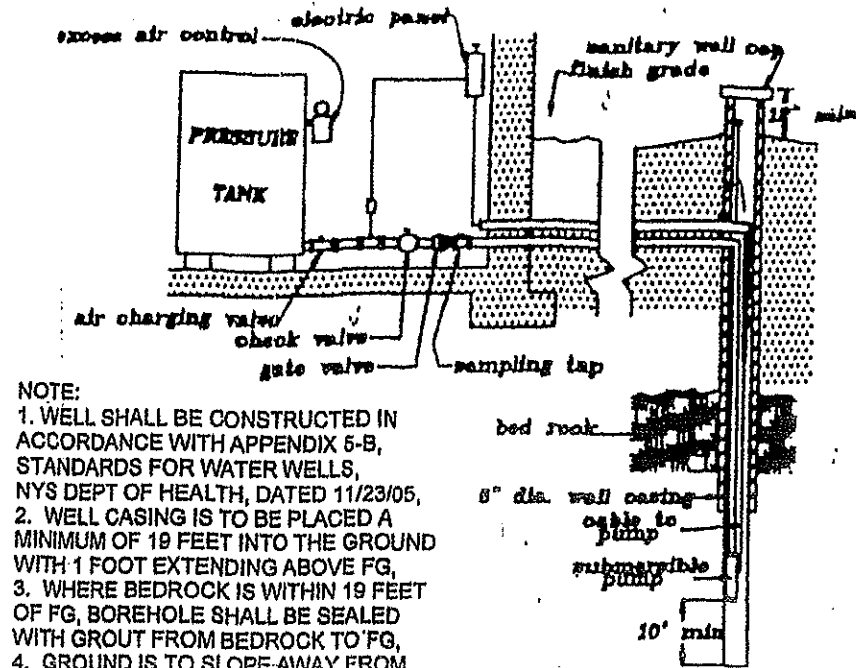
DATE	8/28/2020	DRAWING	SITE PLAN
REVISION			
LOUIS S. DUBOIS, P.E.	116 VINEYARD AVENUE HIGHLAND, NEW YORK (845) 691-2247 OFFICE (845) 691-6515 FAX (845) 224-1102 CELL louis@duboisoptimum.net		
SCALE	AS SPECIFIED	DRAWN BY	LSD
		APPROVED	LSD
PROPOSED SEPTIC SYSTEM CAROL & ALDEN LINK LIVING TRUST 36 GREENTREE LANE MILTON, NEW YORK TOWN OF MARLBOROUGH 102.4-2-15.113			



SEE FIRST PAGE FOR APPROVAL

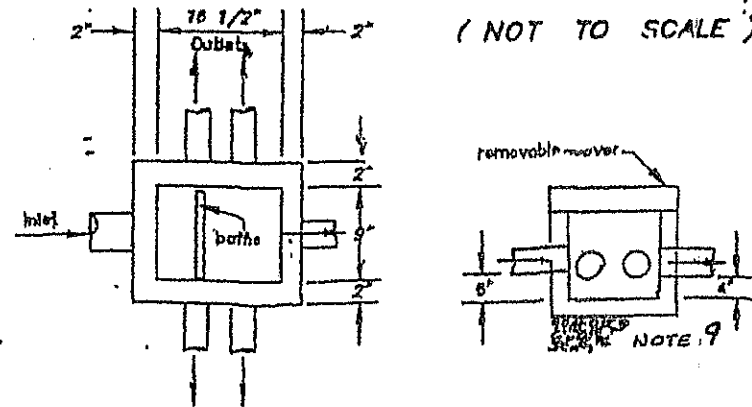


TYPICAL 1250 GALLON SEPTIC TANK
(NOT TO SCALE)

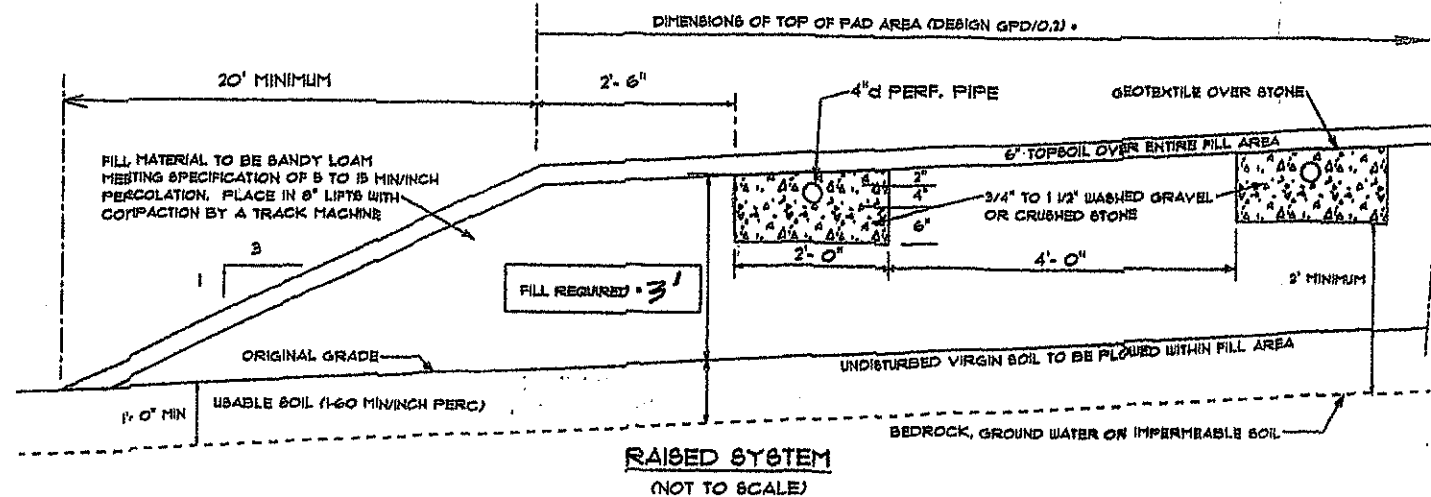


NOTE:
1. WELL SHALL BE CONSTRUCTED IN ACCORDANCE WITH APPENDIX 5-B, STANDARDS FOR WATER WELLS, NYS DEPT OF HEALTH, DATED 11/23/05,
2. WELL CASING IS TO BE PLACED A MINIMUM OF 19 FEET INTO THE GROUND WITH 1 FOOT EXTENDING ABOVE FG,
3. WHERE BEDROCK IS WITHIN 19 FEET OF FG, BOREHOLE SHALL BE SEALED WITH GROUT FROM BEDROCK TO FG,
4. GROUND IS TO SLOPE AWAY FROM WELL TO PREVENT PONDING.

TYPICAL WELL DETAIL
(NOT TO SCALE)



TYPICAL 6 HOLE DISTRIBUTION BOX
(NOT TO SCALE)



RAISED SYSTEM
(NOT TO SCALE)

GENERAL NOTES

- No lots shall be subdivided without the approval of the local Planning Board and the Ulster County Department of Health. No more than one single family dwelling per lot.
- No roof, cellar or footing drains to be discharged into the sewage disposal system.
- All trees must be cut within tile field areas.
- No driveways, roadways or parking areas shall be constructed over any portion of the sewage disposal system.
- No component part of any sewage disposal system shall be located or maintained within 100 feet of any spring, reservoir, brook, marsh or any other body of water. No well exists within 100 feet of the proposed sewage disposal system.
- Precast concrete septic tanks are to be used. They are to be bedded with 6" of crushed stone and have the access cover(s) within 12" of final grade.
- The septic line from the house to the septic tank shall be 4" solid PVC, Schedule 40, with a slope of 1/4" per foot minimum.
- The septic line from the septic tank to the distribution box shall be solid 4" PVC, Schedule 40, with a slope of 1/8" per foot minimum, unless a pump is used. Refer to pump detail for pipe sizing & material.
- A distribution box shall be used with tight joint distributors from the box to the perforated pipe lines utilizing speed levelers. Distributions boxes shall be baffled and be bedded with 12" crushed stone or sand.
- Laterals are to be placed on 6 foot centers and the ends capped, unless in a Ulster County fill section or absorption bed system. The trench width is 2 feet. The perforated PVC pipe shall be placed with a maximum slope of 1/16" per foot. The minimum slope is 1/32" per foot. The bottom of the trench shall be level. Washed gravel or crushed stone, 3/4" to 1 1/2" in size, shall be placed 6" below the perforated pipe, around the pipe and 2" above the pipe.
- The installation of low-flow plumbing fixtures is required. Toilets should be 1.6 gpf; faucets and showerheads should be 3.0 gpm max. No basement fixtures are permitted without special sewage design.
- The location of all septic systems and wells must be located as shown on the site plan. The installation and maintenance of residential septic systems shall follow the New York State Department of Health's "Individual Residential Wastewater Treatment Systems", dated 2012 as amended, or for commercial installations, the "Design Standards for Wastewater Treatment Works", issued by the New York State Department of Environmental Conservation, dated 2014.
- All wastewater treatment systems shall be approved and inspected by the Ulster County Department of Health.
- Construction of absorption facilities shall not occur when the ground is frozen or the soil moisture content is high.



3	
DATE	8/28/2020
REVISED	
DRAWING	DETAIL / NOTES
LOUIS S. DUBOIS, P.E. 116 VINEYARD AVENUE HIGHLAND, NEW YORK (845) 691-2247 OFFICE (845) 691-6515 FAX (845) 224-7102 CELL louis@louisdubois.com	
SCALE	AS SPECIFIED
DRAWN BY	LSD
APPROVED	LSD
PROPOSED SEPTIC SYSTEM CAROL & ALDEN LINK LIVING TRUST 36 GREEN TREE LANE MILTON, NEW YORK TOWN OF MARLBOROUGH 102.4-2-15.113	

SEE FIRST PAGE FOR APPROVAL